

USBExt3c

Integrated USB host-switching, extension and Power Delivery

All-in-one BYOM / BYOD for ProAV Conference Rooms



The **USBExt3c** is a **USB-C hub** with **integrated bidirectional USB and power extension** and **automatic host switching** from **either end of the extension**.

Identical USBExt3c devices connect to each end of a Category cable and can interchangeably act as senders or receivers. **Any port on either unit** can be **dynamically configured as a host port**, and **peripherals can connect to both extenders**, providing extreme flexibility for AV installations.

Local USB links of up to **10 Gbps** and a **5 Gbps** extension link over **100 m** of Cat 6A cable provide flexible connectivity for **4K cameras** and high bandwidth devices.

AV-Focused USB Extension

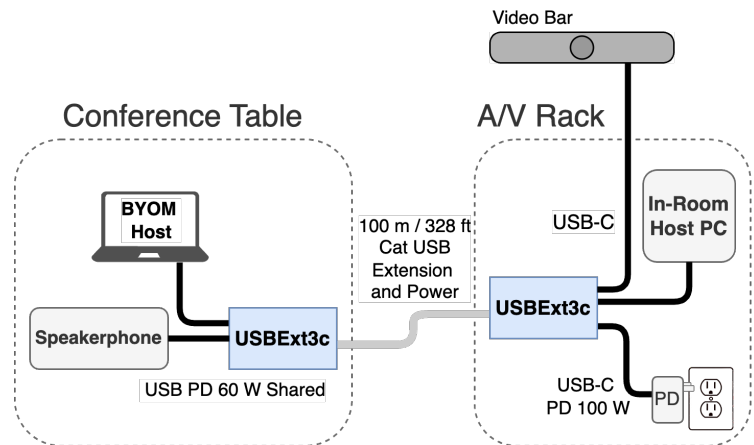
USBExt3c is designed to give installers flexibility to locate hosts, peripherals, and power where they need to be:

- Hosts and peripherals can connect to any port on either or **both sides of the extension**, allowing for local and remote peripherals
- Ports provide up to 60 W USB-PD shared output per device when powered over Cat cable and 90 W when locally powered, enabling laptop charging and connection of high-powered devices
- Host switching can be automatic or software-controlled
- Up to 100 m extension when using Cat 6A cable
- 1 channel of digital I/O for triggering events
- RS-232 serial port for PTZ camera control*
- Remotely monitor, enable and disable ports
- Ports can provide up to 21 V DC power to non-PD devices via optional adapter cable*

(*) Indicates optional add-on firmware feature

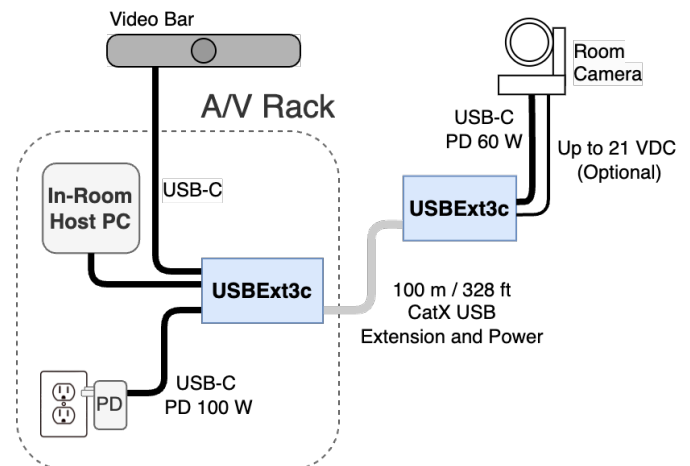
Applications

Bring Your Own Meeting (BYOM) for conference rooms



- Automatically switch peripherals from room PC to BYOM Laptop. Peripherals can connect to either end of the extender pair.
- Simultaneously charge a host laptop at the conference table and connect and power a speakerphone without an outlet at the table

Camera Extension: USB 3 and Power



- Extend 4K cameras to hard-to reach locations without available power
- Remote power for up to 60 W USB-PD or programmable 2.8 – 21 VDC connection* for non-PD devices (adapter cable and software license required)
- Ideal for classrooms, lecture halls, auditoriums, and houses of worship

All trademarks are property of their respective owners.

Maximum Control

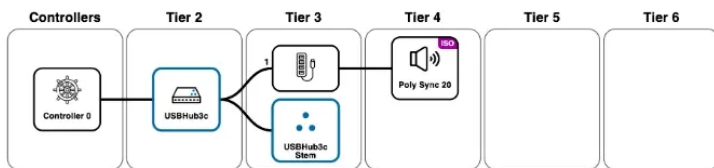
USBExt3c has several control options to integrate into your installation. A pair of USBExt3c devices can be controlled from either device.

- Dedicated Ethernet Control port: Supports QSYS plug-ins, AVI-SPL Symphony, RESTful server, and web interface
- RS-232 interface*: compatible with Extron Simple Instruction Set
- Local USB: control from the actively selected USB host or control from either dedicated USB power/control port.

Monitoring and Configuration

ControlRoom

USB Tree



View USB Tree Compare USB Tree

ControlRoom is an AV-focused application to visualize the USB tree and remotely control Acroname hubs, switches, and extenders.

- Reset devices: Each port can be turned on and off to power cycle stuck devices.
- Monitor power and connection status: Detect changes in system setup, determine if devices have been unplugged or powered off. View link speed to debug connections and catch incorrect cabling.
- Installation documentation and verification: Create and validate design templates against as-built to make sure every installation is cabled correctly.

Flexible Power

- Up to 100 W USB-PD power can be input to **any USB port on either device**
- **No power on one end of the extension?** Just power one device and the other will receive power over the Category cable. Ports on the non-powered side can provide up to 60 W USB-PD (shared).
- **Need more power?** Connect 100 W USB-PD supplies to both sides to provide up to 90 W shared power per side.
- **Programmable DC power source***: Available USB ports can provide up to 21 V DC to non-PD devices using an optional adapter cable.

Reliable Extension

The USBExt3c uses HDBaseT-USB3 technology based on Valens VS6320 to provide USB 3.1, 2.0, and legacy 1.0 extension over standard category cable. Cameras up to 4K, DisplayLink, and both Isochronous and bulk transfer modes are supported. Direct connection to HDBaseT-USB3 cameras and devices.

Robust Mounting Options

USBExt3c features M4 mounting threads on either side for under-table or rack shelf mounting via L-bracket feet or connect to DIN rail via adapter. All USB ports accept single-screw locking USB cables to make sure everything stays connected.

Key Features

Ports (per USBExt3c)	2 full-featured USB-C Ports, 1 dedicated USB-C control / power port
	HDBaseT-USB3 (Cat X) extension
	Ethernet, Control Port, RS232, GPIO
Max Extension	100 m / 325 ft with Cat 6A U/FTP, S/FTP
Max USB 3.2 Data Rate	10 Gbps local
	5 Gbps over extension
USB-PD Power Output	60 W if powered over extension
	90 W if locally powered
USB-PD Power Input	100 W into any port

(*) Indicates optional add-on feature