

USBHub3c

USB-C Hub with host switching and Power Delivery

Managed USB-C Hub /
Host Switcher for Pro AV



The USBHub3c is a host-switching USB hub featuring **six USB-C ports**, with data rates of up to **10 Gbps** and **100 W USB Power Delivery (USB-PD)** per port.

Fully software managed, **any port** can be **dynamically configured as a host port**, with automatic or controlled host switching. This allows for simple sharing of conference room AV peripherals among multiple hosts and enables Bring your own Device (BYOD) or Bring Your Own Meeting (BYOM) setups.

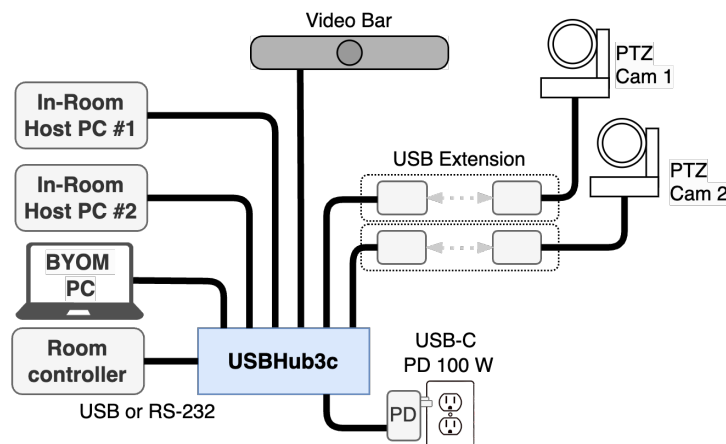
AV-Focused USB features

USBHub3c has extensive power and control features for AV applications.

- **AnyPort™ technology** — six 10 Gbps, 100 W USB-C ports, configurable as host or device ports.
- **Host switching** — switch among up to 5 hosts, automatic or software-controlled
- **RS-232 serial control*** integrates with room control systems or use to control serial devices
- **Remote control and monitoring** — view power consumption, enable and disable ports, power cycle stuck devices
- **Flexible power input** — power the hub with 6 - 48 V DC, dedicated 100 W PD input, or via bus power through any port (up to 100 W)
- **Flexible power output** enables laptop charging and connection of high-powered devices. Up to 100 W per port with up to 500 W total capacity with optional DC supply. Ample port power eliminates brownouts from power-hungry peripherals
- **DC power supply emulation*** — ports can provide up to 21 V DC power to non-PD devices via optional adapter cables

Applications

Switching among multiple hosts in managed conference rooms



The USBHub3c is ideal for complex managed conference rooms requiring switching among multiple hosts. Your MTR, Meet, and Zoom Rooms PCs can easily access the room peripherals.

BYOM Host switching can be automatic or controlled via USB or RS-232*. In Auto-switching mode, USBHub3c will detect a connected host laptop and automatically switch peripherals to that host. Once the BYOM presenter disconnects their laptop, peripherals are then automatically switched back to the in-room host.

For non-managed applications that do not require RS-232 control or support for more than two hosts, consider our USBHub3+

Maximum Control

- **RS-232 interface***: compatible with Extron™ Simple Instruction Set — integrates with popular conference room control systems. Supports QSYS plug-ins
- **Local USB**: control from the actively selected USB host or control via dedicated USB control port. Supports AVI-SPL Symphony

Robust Mounting Options

USBHub3c features M4 mounting threads on sides and back for under-table or rack shelf mounting via L-bracket feet or connect to DIN rail via adapter. All USB ports accept single-screw locking USB cables to make sure everything stays connected.

(*) Indicates optional firmware feature

All trademarks are property of their respective owners.

Leaders in USB connectivity

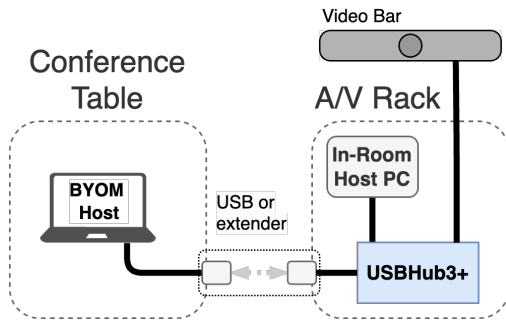
ACRONAME



The USBHub3+ is a high-performance, managed USB 3 hub featuring **eight fully controllable USB-A ports**, supporting data rates of up to **5 Gbps (USB 3)** and **480 Mbps (USB 2)**.

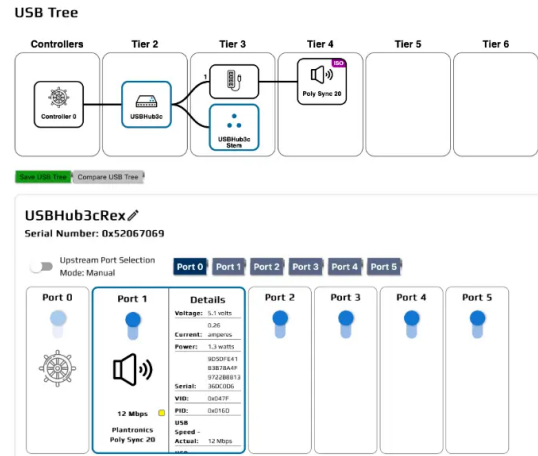
Two USB type-B host ports allow automatic host switching on command or by port priority. Control the hub via the host USB connection or through the dedicated mini-B USB control port. Daisy chain hubs using the dedicated downlink port for up to a total of four hubs per PC port.

Automatic BYOD/BYOM host switching for two hosts



The USBHub3+ is ideal for adding bring your own meeting (BYOM) capability to your conference room. Out of the box, USBHub3+ is set to **auto-switching mode**, based on port-priority, to easily detect a connected host device and automatically switch peripherals to that host.

Available for USBHub3c and USBHub3+ Monitoring and Configuration with ControlRoom



ControlRoom is an AV-focused application to visualize the USB tree and remotely control Acroname hubs, switches, and extenders.

- **Reset devices:** Each port can be turned on and off to power cycle stuck devices.
- **Monitor power and connection status:** Detect changes in system setup, determine if devices have been unplugged or powered off. View link speed to debug connections and catch incorrect cabling.
- **Installation documentation and verification:** Create and validate design templates against as-built to make sure every installation is cabled correctly.

	USBHub3c	USBHub3+
Host Ports	Any one of 6 USB-C ; USB 3.2 gen 2 (10 Gbps)	2 USB-B 3.2 gen1 (5 Gbps)
Device Ports	Up to 5 USB-C ; USB 3.2 (controlled)	8 USB-A 3.2 gen 1 5 Gbp (controlled) + 1 downlink
Power	100 W PD per port, up to 500 W shared Short circuit protected (all ports)	14 A (all ports); 4 A per port Short circuit protected (all ports)
Control	Host USB , dedicated control port , or RS-232	Host USB or dedicated control port (Mini USB)
Host Switching	Auto-Switch capable, controlled by default	Auto-Switch by default, control capable
Telemetry	Port status, port on/off, current/voltage, link state, USB-C cable properties	Port status, port on/off, current/voltage, link state, port error
Extender Compatibility	Yes (contact Acroname)	Yes (contact Acroname)
Save Settings	Yes	Yes
COO/GMA	USA / WW compliance / TAA	USA / WW compliance / TAA

