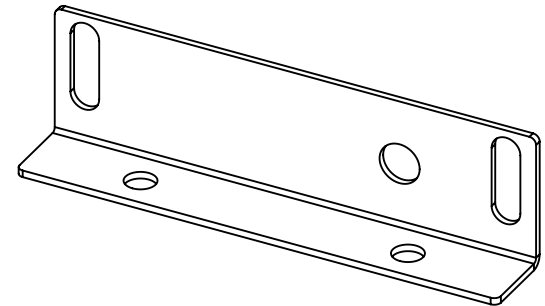
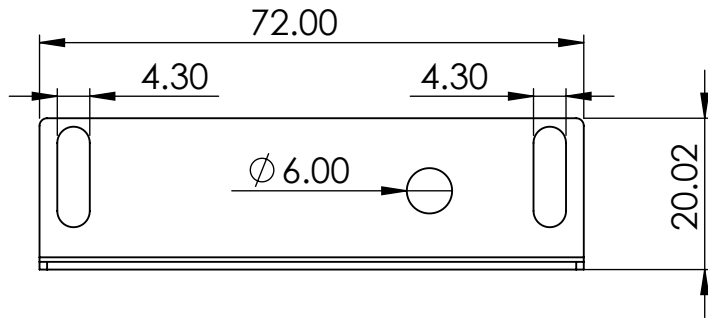
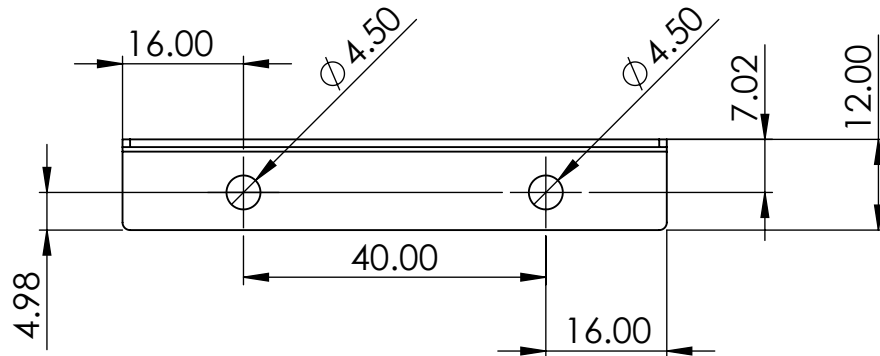


SLOTS ARE INTENDED FOR CONNECTION TO ACRONAME PRODUCTS  
 6mm HOLE IS TO ALLOW ACCESS TO RESET BUTTON ON SOME ACRONAME PRODUCTS



INCLUDES  
 2x M3.5 8mm SCREWS  
 AND  
 2x M4 10mm SCREWS



UNLESS OTHERWISE SPECIFIED:		NAME	DATE	<b>∴ ACRONAME INC.</b>		
DIMENSIONS ARE IN mm		DRAWN	ENG 3/27/2025			
TOLERANCES: ANGLE: MACH ± 0.5° BEND ± 0.5° FRACTIONAL: ± 1/4mm ZERO PLACE DECIMAL: ± 0.5mm ONE PLACE DECIMAL: ± 0.2mm TWO PLACE DECIMAL: ± 0.1mm		CHECKED	ENG 3/27/2025	SIZE DWG. NO. MAJOR MINOR PATCH A R494		
INTERPRET GEOMETRIC TOLERANCING PER:		ENG APPR.				
MATERIAL		MFG APPR.		GITSHA:		
FINISH		Q.A.				
DO NOT SCALE DRAWING		COMMENTS:				

- Reference 3D CAD for additional dimensions.

PROPRIETARY AND CONFIDENTIAL  
 THE INFORMATION CONTAINED IN THIS DRAWING IS THE SOLE PROPERTY OF ACRONAME. ANY REPRODUCTION IN PART OR AS A WHOLE WITHOUT THE WRITTEN PERMISSION OF ACRONAME IS PROHIBITED.